

Please check the box below to proceed.

I'm not a robot



reCAPTCHA
[Privacy](#) - [Terms](#)

Wiring Diagram For 2002 Ebook

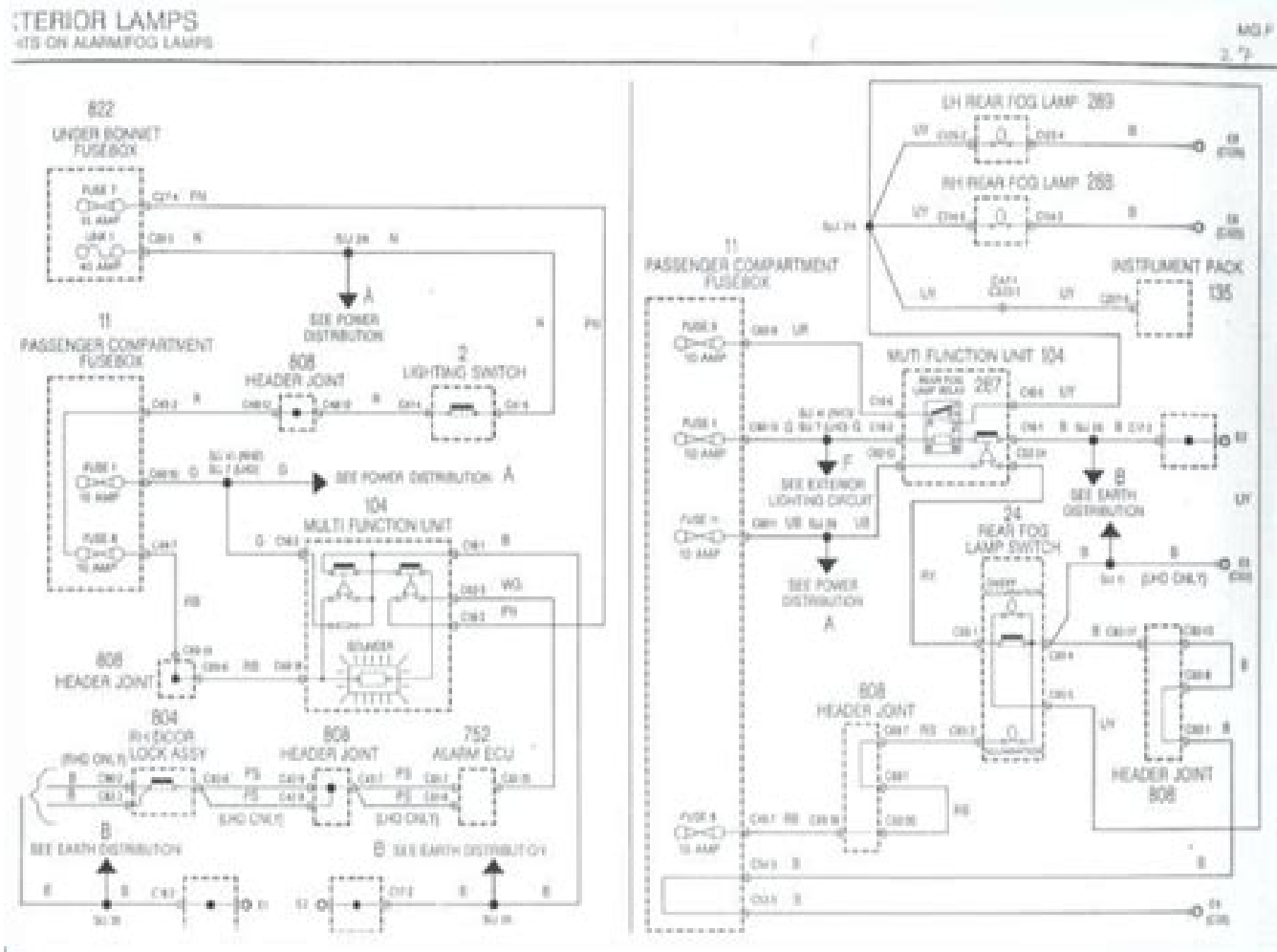


Table of Contents

Wiring Diagram For 2002 Ebook {Bearded senior gentleman in santa clause outfit flipping as a result of pages of book with purple deal with in thematically decorated room - christmas spirit strategy pack up.

Why do we use it?

Wiring Diagram For 2002 Ebook Known as in to refer to after a youthful girl disappears, Tracy Crosswhite has the uneasy sensation that this is no ordinary lacking-people situation.

Where does it come from?

Wiring Diagram For 2002 Ebook If it's Paulina Ponomayova, the agent who sacrificed her existence to save his, Jenkins can't leave her at the rear of. But there's no warranty it's her. Or evidence Paulina is still alive.

Wiring Diagram For 2002 Ebook Tiny boy looking at a book and drinking incredibly hot cocoa in decorated cozy family room. Joyful child on Xmas time. Activity for kids on Wintertime vacations
Flag any unique difficulties you might come upon and Softonic will address All those worries right away..

, Gabbie Hanna manages to stability the ruminations and joys that go functioning via our minds. Short, sharp and concise, these thoughts are what retain us up at nighttime and from time to time "just often" get us off the bed each morning..

is the latest tour de force from the powerhouse author proving with this novel, she's only getting going. Schwab has captivated audience for the better Element of the ten years Together with the clever and provocative Shades of Magic collection as well as the Similarly legendary Villains collection..

PDF Copyright ID : *hbspjdyn14f7tkqewcuz*

References:

[Wiring Diagram For 2002 Ebook](#)